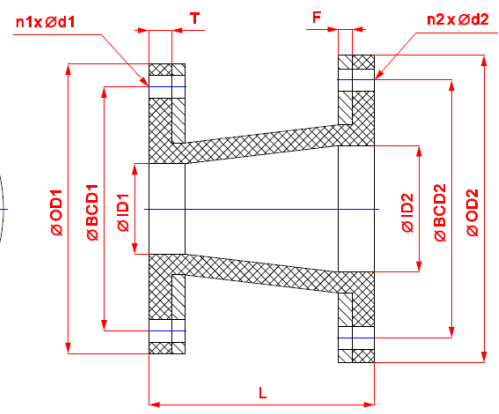
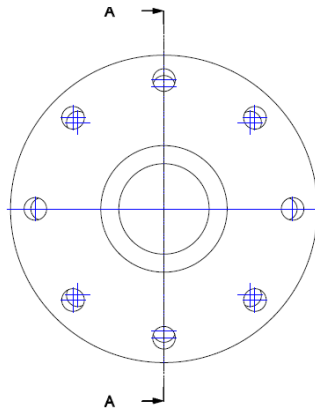
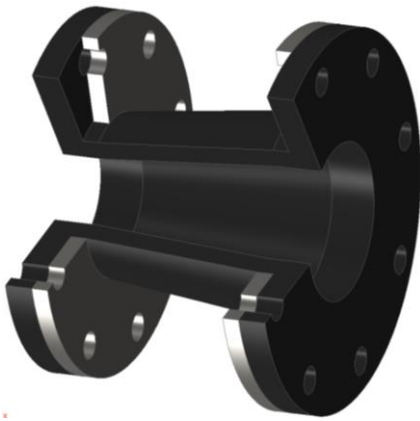


### Rubber Expansion Joints



### RC C

DN			flange connections						movements				Max.pressure [kgf/cm <sup>2</sup> ]
ID1 [mm]	ID2 [mm]	length [mm]	ØD [mm]	ØLK [mm]	n	Ød [mm]	T [mm]	F [mm]	axial [mm]		lateral [mm]	angular [°]	
									comp. -	ext. +	±	±	
50	65	200-300					10	10	1	1	5	-	6
50	80	200-300					10	10	1	1	5	-	6
65	80	200-300					10	10	1	1	5	-	6
80	100	200-300					10	10	2	2	5	-	6
100	125	200-330					10	10	2	2	5	-	6
100	150	250-350					10	10	3	3	5	-	6
125	150	200-350					10	10	3	3	5	-	6
125	175	250-350					10	10	4	4	5	-	6
125	200	400-500					10	15	5	5	5	-	6
175	200	200-500					10	15	5	5	5	-	6
175	250	400-500					10	15	6	6	5	-	6
200	250	250-500					10	15	6	6	5	-	6
200	300	400-500					15	15	6	6	5	-	6
250	300	300-500					15	15	6	6	5	-	6
250	350	400-500					15	15	6	6	5	-	6
300	350	300-500					15	15	6	6	5	-	6
300	400	400-500					15	15	6	6	5	-	6
350	400	300-500					15	15	6	6	5	-	6
350	450	400-500					15	15	6	6	5	-	6
450	500	300-500					15	15	6	6	5	-	6
450	550	400-500					15	15	6	6	5	-	6
500	550	300-500					15	15	6	6	5	-	6
500	600	400-500					15	15	6	6	5	-	6
650	700	300-500					15	15	6	6	5	-	6
650	750	400-500					15	15	6	6	5	-	6
700	750	300-500					15	15	6	6	5	-	6

drilling according customer request  
(for example PN6, PN10, PN16, AWWA, ASME, JIS, etc.)

**Rubber Expansion Joints**

DN			flange connections	T [mm]	F [mm]	movements				Max.pressure [kgf/cm <sup>2</sup> ]
ID1 [mm]	ID2 [mm]	length [mm]				axial [mm]		lateral [mm]	angular [°]	
						comp. -	ext. +	±	±	
700	800	400-500	drilling according customer request (for example PN6, PN10, PN16, AWWA, ASME, JIS, etc.)	15	15	6	6	5	-	6
750	800	300-500		15	15	6	6	5	-	6
800	850	300-500		15	15	6	6	5	-	6
800	900	400-500		15	20	6	6	5	-	6
900	1000	400-500		20	20	6	6	5	-	6
1000	1050	300-500		20	20	6	6	5	-	6
1000	1100	400-500		20	20	6	6	5	-	6
1050	1100	300-500		20	20	6	6	5	-	6
1050	1150	400-500		20	20	6	6	5	-	6
1100	1150	300-500		20	20	6	6	5	-	6
1100	1200	400-500		20	20	5	5	5	-	6
1150	1200	300-500		20	20	5	5	5	-	6
1150	1250	400-500		20	20	5	5	5	-	6
1250	1200	300-500		20	20	5	5	5	-	6
1200	1300	400-500		20	25	5	5	5	-	6
1300	1350	300-500		20	25	5	5	5	-	6
1300	1400	400-500		20	25	5	5	5	-	6
1350	1400	300-500		20	25	5	5	5	-	6
1400	1500	300-500		20	25	5	5	5	-	6
1500	1600	400-500		20	25	5	5	5	-	6
1600	1650	300-500		20	25	5	5	5	-	6
1600	1700	400-500		20	25	5	5	5	-	6
1650	1700	300-500		20	25	5	5	5	-	6
1650	1750	400-500		20	25	5	5	5	-	6
1700	1750	300-500		20	25	5	5	5	-	6
1700	1800	400-500		20	25	5	5	5	-	6
1750	1800	300-500		20	25	5	5	5	-	6
1800	1900	400-500		20	25	5	5	5	-	6
1900	2000	400-500		20	25	5	5	5	-	6

Applications:	cooling systems, supply of drinking water, suspension conveyance pipelines, on pumps and vessels
Design:	conical bellows (concentric taper/reducer) with full faced rubber flanges, embedded stainless steel wire
Rubber materials:	EPDM, Neopren, Nitril, Hypalon, Natural, Buthyl HT, EPDM HT, EPDM Wras
Accessories:	Flanges and counterflanges with/without fasteners, control units (tie rods including nuts and washers), inner sleeve, protective covers or safety hood
Notes:	Other specification on request